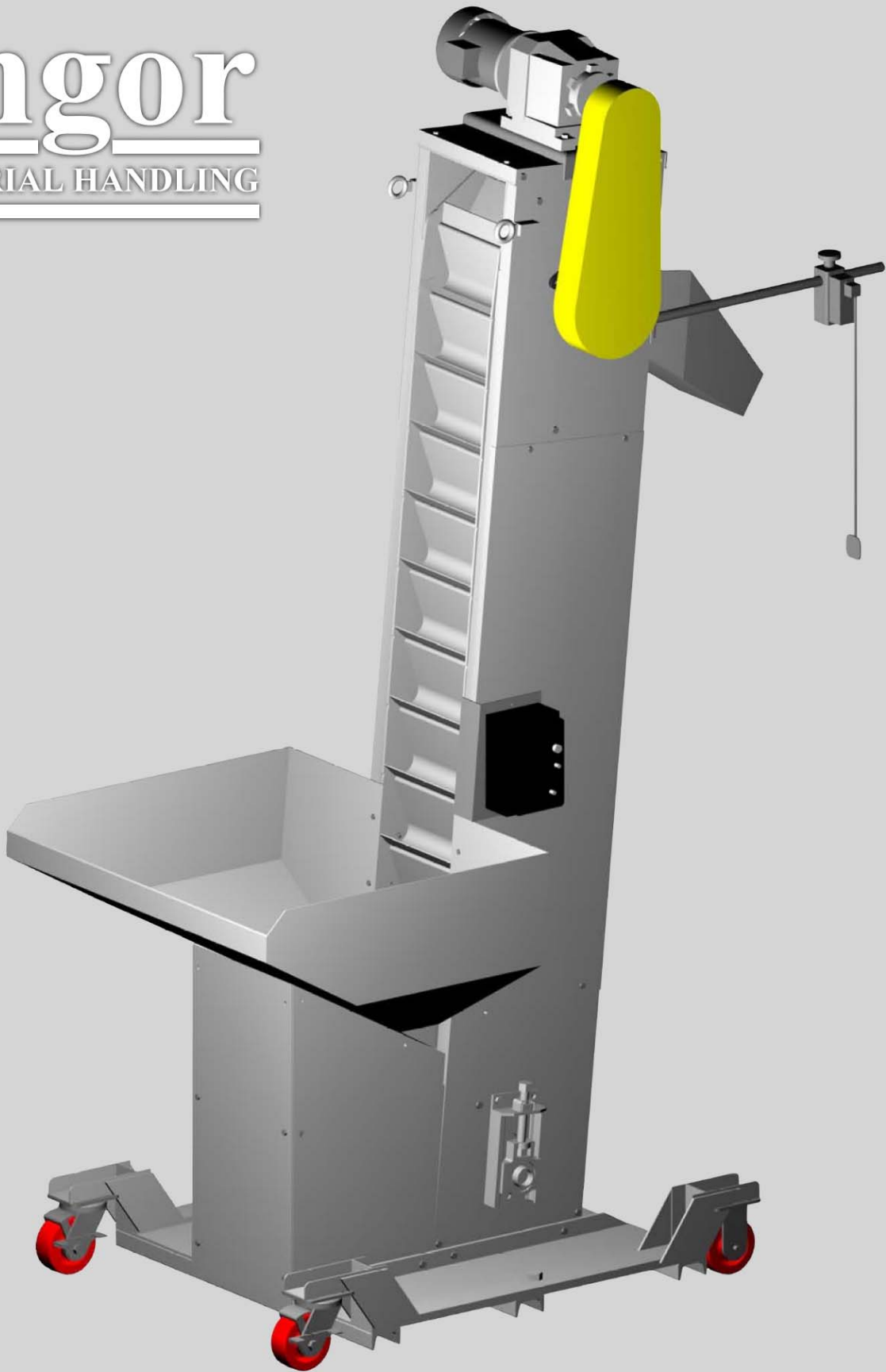


**angor**  
MATERIAL HANDLING



**600 SERIES  
BUCKET LOADER**

## **SPECIFICATIONS**

### **CONSTRUCTION:**

- 3/16" thick frame
- Welded 5/8" thick Runner System
- Bolted access panels (sides & back)

### **DRIVE:**

- ½ HP, 1725 RPM, 230/460V/3ph
- Inverter Duty (12-60 Hz)
- Torque Limiter - 30-tooth sprocket
- 50 pitch drive chain (2:1 reduction)

### **CONTROLLER:**

- AC Variable Speed Controller (5-40 FPM)
- Input Voltage: 115/230V/1ph standard
- Limit Switch or Proximity Sensor for automatic On/Off
- X-Y adjustable Paddle or Sensor
- Motor Overload Protection

### **HOPPER:**

- 6.0 cubic ft. Capacity
- 3/16" material thickness
- 30 degree down-angles
- "Zero-Gap" Plate - Adjustable  
(Hardened 61-63 Rc)

### **COLOR:**

- Vista Green, Safety Blue, Machine Gray



### **BELT SPECIFICATIONS:**

- 11 ga. - formed J-Bucket
- 6" Pitch Bucket
- 10" wide (I.D.)
- 62 cubic inch capacity
- 1/4" thick Sideplates
- Hollow-Pin Chain Design with
- Oversized, Hardened Rollers



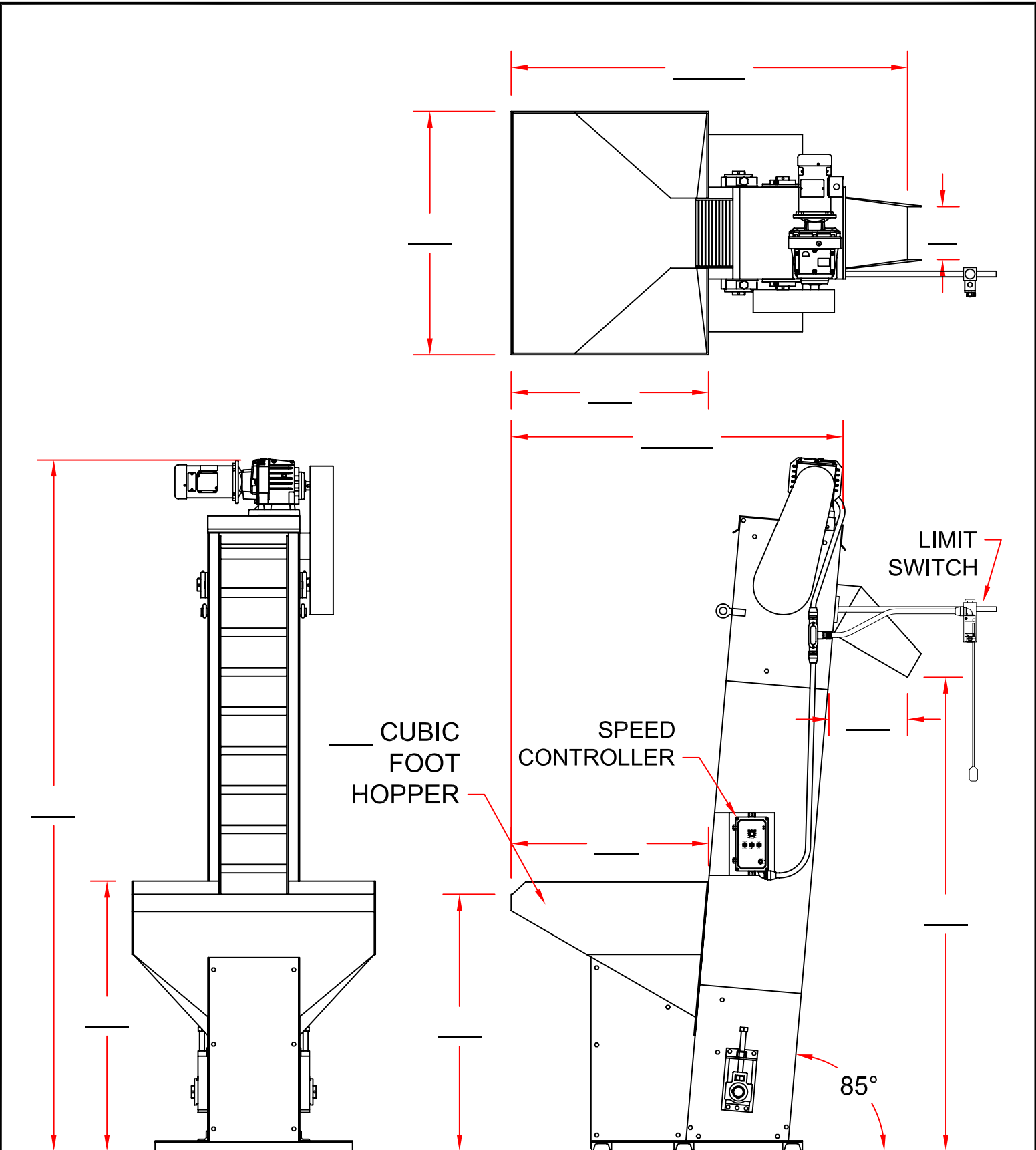
### **USA:**

2217 Eddie Williams Rd.  
Johnson City, TN 37601  
Phone: (423) 434-9696  
Fax: (423) 434-9797

### **Canada:**

89 Galaxy Blvd, Unit 4  
Toronto, Ontario M9W 6A4  
Phone: (416) 675-1025  
Fax: (416) 675-3838

### **Distributed by:**



**angor**  
**MATERIAL HANDLING**  
 2217 EDDIE WILLIAMS RD.  
 JOHNSON CITY, TN 37601  
 TEL: (423) 434-9696  
 FAX: (423) 434-9797

DATE :	QUOTE :	DRAWN BY :
TITLE :		<b>TROY</b>
AMH 600 SERIES BUCKET LOADER		CHECKED BY :
PLEASE SUBMIT APPROVED DRAWING ALONG WITH PURCHASE ORDER		CUST. APPROVAL

DRIVE SPECIFICATIONS :
MOTOR : 1/2 HP 1725RPM TEFC
VOLTAGE : 90VDC / 5 AMPS
MOUNT : TOP RIGHT SIDE
CONTROLS : 110V/1ph(IN)-90VDC(OUT)
SPEED : 0-35 FPM
BELT SPECIFICATIONS :
TYPE : 600 SERIES
WIDTH : 10" BUCKET
HOPPER : ___ CUBIC FOOT